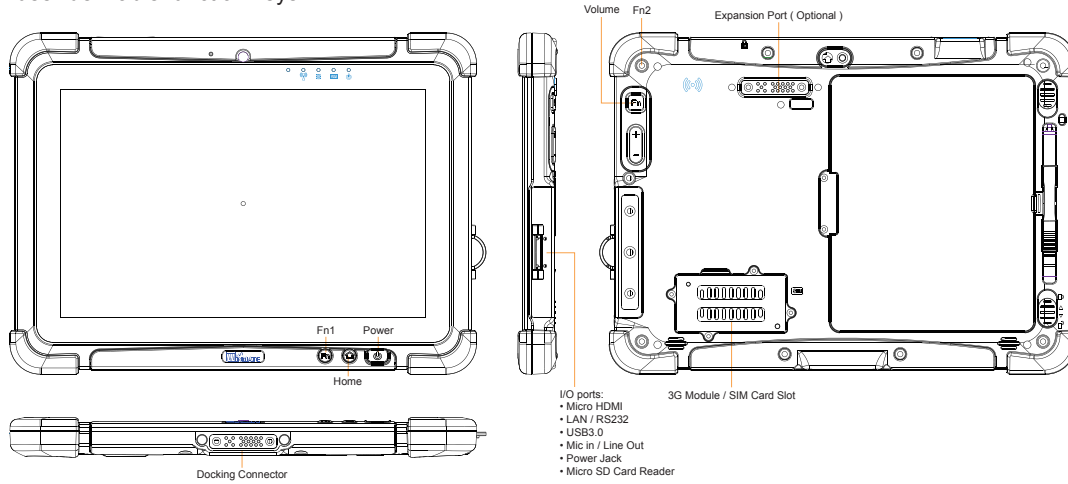


# 10.1" Rugged Tablet PC

Model :M101B

## Features:

- 10.1" 1920x1200 IPS LED Panel with P-Cap Touch
- Low-power system with Intel® Atom Bay Trail processor
- IP65 water and dust proof
- Optional Barcode or RFID Reader
- Dual Camera Design: 5MP Main camera with LED flash / 2MP Webcam
- Service Window for 3G module replacement
- Optional Expansion port for USB / RS232 connection
- Hot-Swappable Battery Design / optional high capacity battery pack
- 2 user-definable function keys



Note: this is a simplified drawing and some components are not marked in detail. Please contact our sales representative if you need further product information.

UNIT:mm

### System Specification

Processor	: Intel Celeron N2920 Quad-Core 1.86GHz
Memory	: 4GB SODIMM DDR3L-1600, 1.35V
Storage	: 64GB mSATA MLC SSD
Audio	: Built-in Mic 1W Speaker x 2
OS Support	: Windows Embedded 8 std. Windows Embedded 8.1 Industry Pro

### Wireless Communication

Wi-Fi	: 802.11 a/b/g/n
Bluetooth	: Bluetooth 4.0 + Class I
GPS	: U-Blox Neo-6Q
3G / 4G LTE	: Sierra MC8090 ( optional) Sierra MC7355 / Gobi5000 ( optional)

### Display Specification

Resolution	: 1920x1200
Panel Brightness	: 700 nits
Contrast Ratio	: 750:1
Viewing Angle	: 89 / 89 / 89 / 89
Touch	: Projective Capacitive Touch (min. 4 points)

### Mechanical and Environment

Dimensions (W x H x D)	: 271.8 x 197.2 x 19 mm
Weight	: 1.1kg
Operating Temperature:	: -20~60°C ( AC Mode ) -10-50 °C ( Battery Mode )
Battery Charging Temp:	: 0-40 °C *
Operation Humidity	: 30%~90% ( non condensing)
IP Proof	: IP65
Drop	: 4 feet

### I/O Ports

Micro HDMI / 30-Pin Combo Connector (LAN or RS232) / USB3.0 / Audio Combo Connector (Mic in or Line Out) / Power Jack / Micro SD Card Reader

### Control Buttons

Control Buttons	: Power / Home / Fn1 / Fn2 / Vol + / Vol -
LED Indicator	: Power / Battery / HDD / RF

### Field Service Features

Camera	: 5MP Auto-Focus Camera with LED flash 2MP Camera at front side
Built-in Sensor	: Light Sensor/ G Sensor/ Gyrometer/ E-Compass
Data Capture	: 1D/2D Barcode Reader (optional) HF RFID Reader (optional)

### Power Management

Power Input	: 12V DC
Battery	: 7.4V, 5300 mAh Li-Polymer Battery(2S1P) 7.4V, 10600 mAh Li-Polymer Battery(2S2P,optional)
Battery Operation Time:	: 6 hours (with standard battery)
Adapter	: 100-240V, 50-60Hz, 12V DC

\*note

Battery	flat	Vertical
Charging	0~40°C	0~45°C
Discharging	0~45°C	0~50°C

Rev.	Reasons	Revised Date
1.3	Spec Change	Nov-27-13
1.4	Spec Change	Dec-11-13
1.5	Spec Change	Dec-25-13